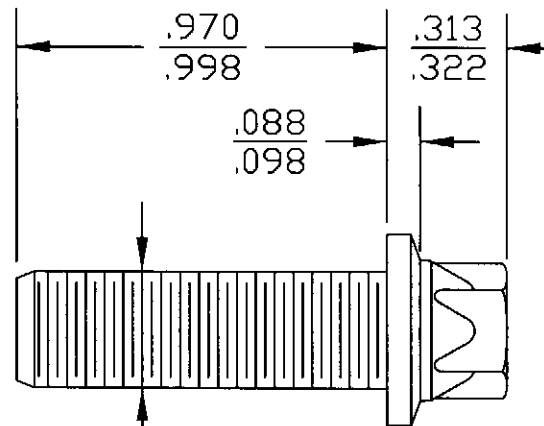


E10
EXTERNAL
6 LOBE



M8 x 1.25 6g THREADS
.3138 MAJOR
.3056 DIAMETER

EXTERNAL 6 LOBE

TOL. (EXCEPT AS NOTED)
FRACTIONAL ± .005
ANGLES ± 1°
DECIMALS ± .001

TOOL
NAME

MACHINE

MATERIAL

HEAT TREAT

DRAWN
BY

CK'D BY

APP.

TN

DATE

THE AUTO BOLT CO.

4619 PERKINS AVENUE

CLEVELAND, OHIO 44103-3595

SCALE NOT